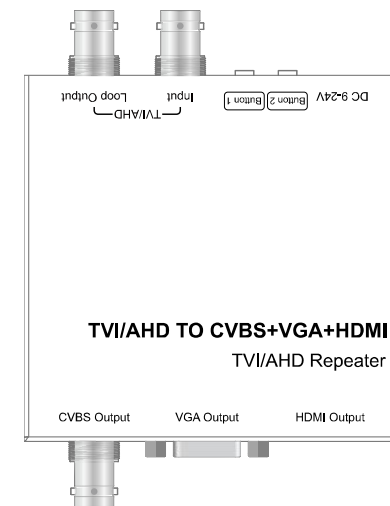


# TVI/AHD to HDMI/CVBS/VGA Converter, With 1xlooping TVI/AHD output

## Operating Instructions



### Dear Customer

Thank you for purchasing this product. For optimum performance and safety, please read these instructions carefully before connecting, operating or adjusting this product. Please keep this manual for future reference.

### FEATURES

- Convert TVI/AHD to HDMI/CVBS/VGA
- With 1 looping TVI/AHD out
- HDMI/VGA output support resolution upto1080p
- Composite video output support NTSC, PAL
- Support transmission distance upto 300m over coaxial Cable
- Support Multi-Level Cascading
- Built-in ESD industrial-grade protection circuit, which can effectively prevent static

### NOTICE

Our company reserves the right to make changes in the hardware, packaging and any accompanying documentation without prior written notice.

## TABLE OF CONTENTS

Specifications

Package Contents

Panel Descriptions

Connecting and Operating

Typical Application

Maintenance

Product service

Warranty

## SPECIFICATIONS

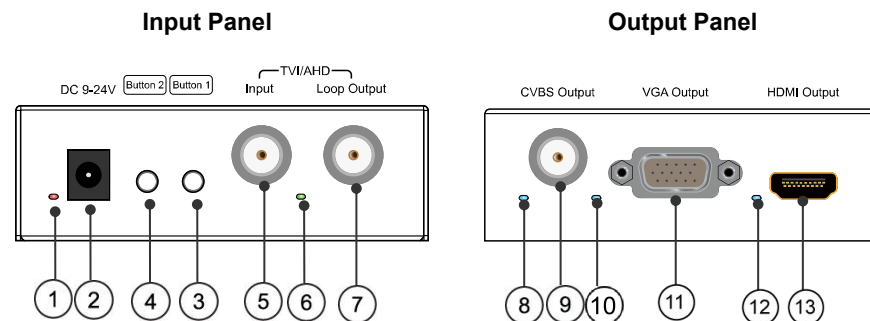
Input	1x TVI/AHD
Output	1x TVI/AHD Loop output, 1x HDMI 1xCVBS output, 1xVGA output
Interface	HDMI A - Male BNC
TVI/AHD Input Resolution	720P (25Hz/30Hz/50Hz/60Hz), 1080P (25Hz/30Hz)
HDMI Output Resolution	720P@60Hz /1080p@60Hz
Power consumption	4watts(Maximum)
Dimensions	121(L) x 94.2 (W) x 31(H) mm
Net Weight	320g

**Note: Specifications are subject to change without notice. Mass and dimensions are approximate.**

## PACKING CONTENTS

- 1) Main Unit. TVI/AHD to HDMI/CVBS/VGA Converter
- 2) DC12V Power Supply
- 3) Operating Instructions

## PANEL DESCRIPTIONS



1) Indicator of power Input

2) Power input

3) Press button 1 to switch to HDMI /CVBS/VGA output

4) Switch for various resolution under different output  Note

5) TVI/AHD input port

6) Indicator of TVI/AHD Input

7) TVI/AHD loop output port

8) Indicator of CVBS output

9) CVBS output port

10) Indicator of VGA output

11) VGA output port

12) Indicator of HDMI output

13) HDMI output port



Note 1

1). Under HDMI output mode, press Button 2 to switch between 1080P@60Hz and 720P@60Hz

2). Under CVBS output mode, press button2 to switch between NTSC and PAL

3). Under VGA mode, press button 2 for different resolution  
 resolution list: 800x600/60Hz, 1024x768/60Hz, 1280x720/60Hz,  
 1280x1024/60Hz, 1366x768/60Hz, 1440x900/60Hz,  
 1600x1200/60Hz, 1680x1050/60Hz, 1920x1080/60H



Note 2

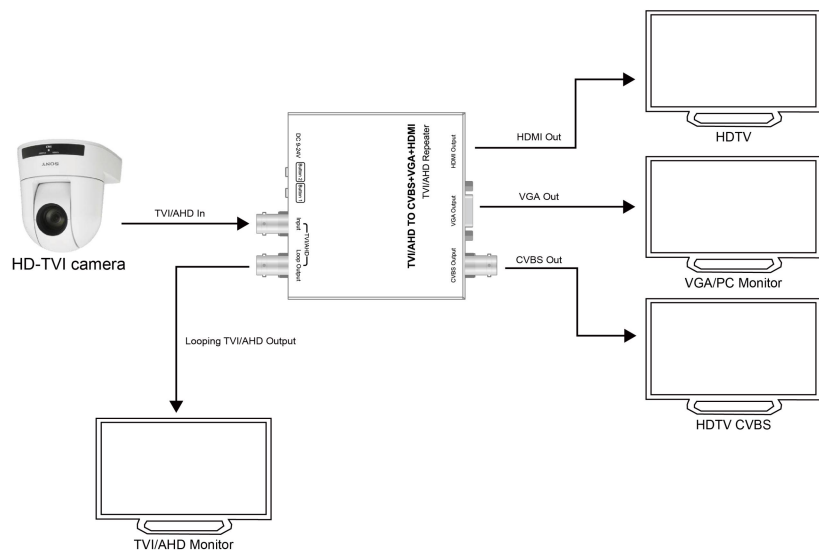
Power off memory function: The status output mode and resolution will keep as the last time when power cut.

## Connecting and Operating

1. Ensure the Converter is disconnected from power.
2. Connect TVI/AHD source to the TVI/AHD input and sink to HDMI/CVBS/VGA output.
3. Connect 12V DC power to the converter.

Attention: Insert/Extract cable gently

## Typical Application



## MAINTENANCE

Clean this unit with a soft, dry cloth. Never use alcohol, paint thinner or benzene to clean this unit.

## PRODUCT SERVICE

- 1) **Damage requiring service:** The unit should be serviced by qualified service personnel if:
  - (a)The DC power supply cord or AC adaptor has been damaged;
  - (b)Objects or liquids have gotten into the unit;
  - (c)The unit has been exposed to rain;

- (d)The unit does not operate normally or exhibits a marked change in performance;
- (e)The unit has been dropped or the cabinet damaged.

2) **Servicing Personnel:** Do not attempt to service the unit beyond that described in these operating instructions. Refer all other servicing to authorized servicing personnel.

3) **Replacement parts:** When parts need replacing ensure the servicer uses parts specified by the manufacturer or parts that have the same characteristics as the original parts. Unauthorized substitutes may result in fire, electric shock, or other hazards.

4) **Safety check:** After repairs or service, ask the servicer to perform safety checks to confirm that the unit is in proper working condition.

## WARRANTY

If your product does not work properly because of a defect in materials or workmanship, our Company (referred to as "the warrantor" ) will, for the length of the period indicated as below, **(Parts(2)Year, Labor(90) Days)** which starts with the date of original purchase ("Limited Warranty period"), at its option either(a) repair your product with new or refurbished parts, or (b) replace it with a new of a refurbished product. The decision to repair or replace will be made by the warrantor.

During the "Labor" Limited Warranty period there will be no charge for labor.

During the "Parts" warranty period, there will be no charge for parts. You must mail-in your product during the warranty period. This Limited Warranty is extended only to the original purchaser and only covers product purchased as new. A purchase receipt or other proof of original purchase date is required for Limited Warranty service.

## MAIL-IN SERVICE

When shipping the unit carefully pack and send it prepaid, adequately insured and preferably in the original carton. Include a letter detailing the complaint and provide a day time phone and/or email address where you can be reached.