

LM-STF5801H SD/HD-SDI Mini Fiber Optical Transmission

Introduction

LM-STF5801H SD / HD-SDI Mini Optical is dedicated to the HD / SD-SDI video and embedded audio and RS485 data via multimode fiber cables ideal, economical transmission equipment. SD / HD-SDI Mini Optical uses leading digital fiber optic transmission technology, in a single-mode optical fiber's transmission distance, it transmits a way SD / HD-SDI video signals. In simple, a mini-SD / HD-SDI digital video fiber optic transmission systems, Transmitter for sending, Receiver for reception. PTE292M, SMPTE259M standards, as well as DVB-ASI (EN50083-9), such as a digital television signal formats.

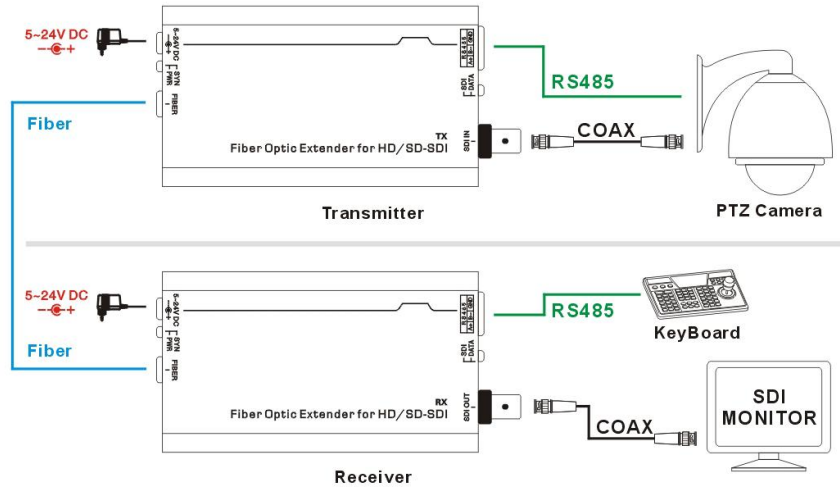
Feature



LM-STF5801H

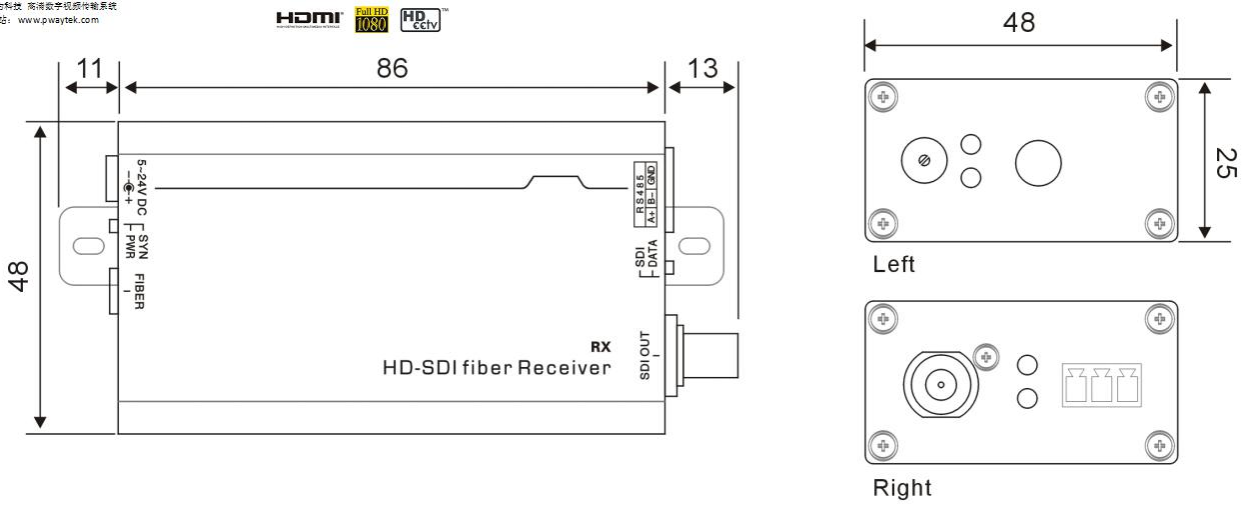
- One way HD-SDI fiber transmission high-definition digital video and audio signals;
- SD, HD input automatic detection, support 270Mbit/s - 1.48Gbit/s rate; support the new 1080P HD-SDI format;
- Support SMPTE-292M HD-SDI, SMPTE-259M SDI serial digital video signal and DVB-ASI signal;
- For reliable transmission by multi-mode or single-mode optical fiber, the single mode fiber 20KM, up to 60KM;
- The built-in cable equalizer for Equalizer, clock regeneration circuit Reclocker and cable driver ;
- Power and other parameters indicate LED can monitor system status.
- Signal input with automatic cable equalization function, output has a long drive function

Application



Panel Size

品为科技 高清数字视频传输系统
网站: www.pwaytek.com



LM-STF5801H SD/HD-SDI Mini Fiber Optical system (Transmitter is the same as Receiver)

Specification

Product Model	LM-STF5801H
Transmission distance	0~20km(Optional 40km/60km)
Wavelength	1310nm/1550nm
Optical fiber connector type	SC/PC
Transmit power	-10~-3dbm
Fiber Count	1core
Receiver sensitivity	Better than-34dbm
Compatible with standard	Support SMPTE292M, SMPTE259M standard
Rate	Working at 270Mbps ~ 1.5Gbps
Video Interface	1 BNC
Data Interface	1 RS485 industrial terminal
The nominal input and output level	800mVp-p±10%
The nominal input and output impedance	75 Ω
Sampling frequency	32K/48KHz
The nominal input and output level	Unbalanced 2Vp-p
Operating temperature	0°C~40°C/32°F~104°F
Storage Temperature	-20°C~60°C/-4°F~140°F
Relative Humidity	20~90%RH(<i>No condensation</i>)
Power requirements	5~24VDC