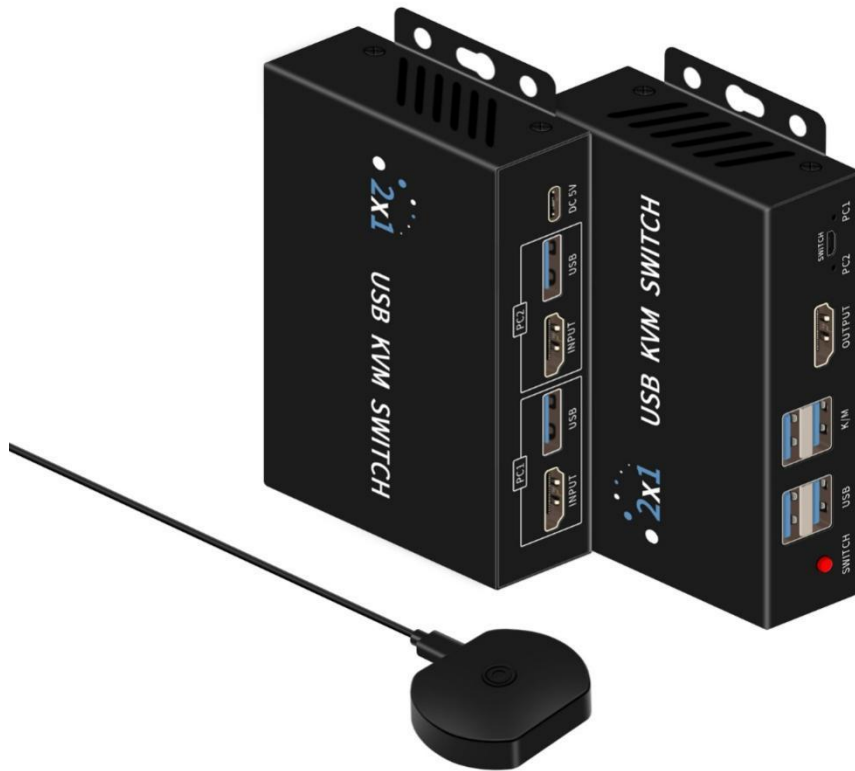


# 2 Port HDMI KVM USB3.0 Switch

## User Manual



The HDMI KVM switch allows for seamless switching between two sets of high-definition video sources and USB interfaces, providing the flexibility to adapt to various complex application environments. It is a reliable, high-performance, and efficient solution for HDMI and USB switching.

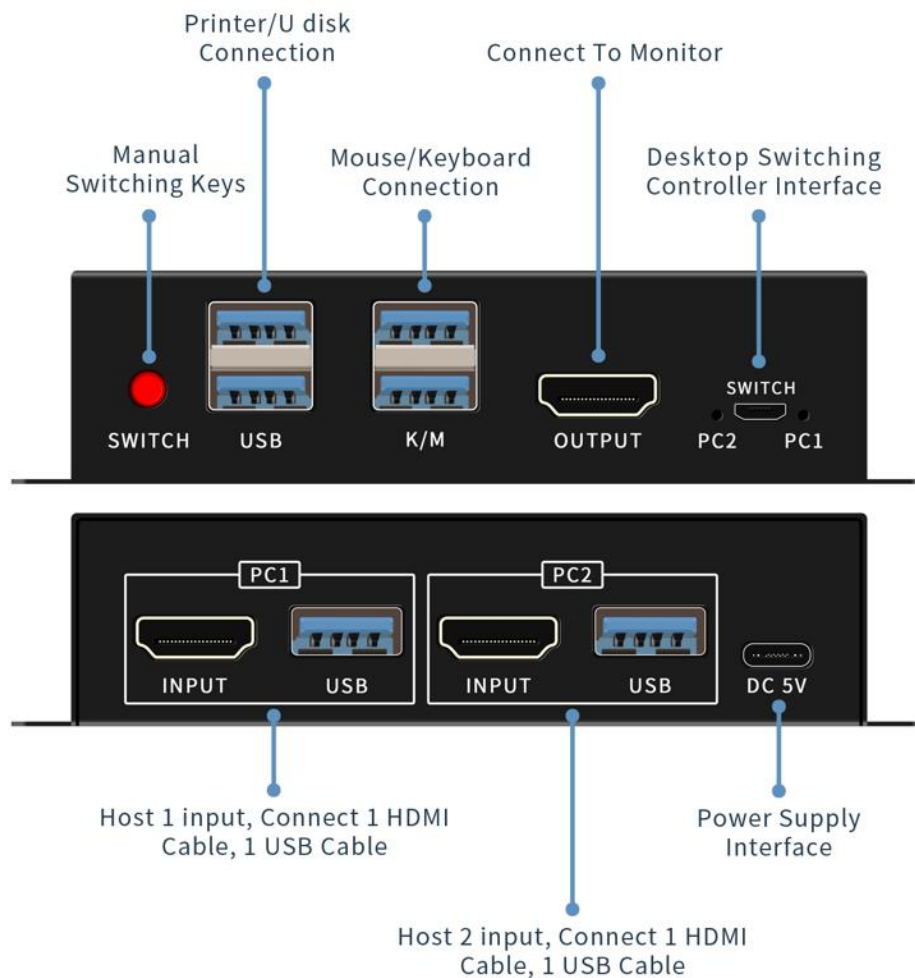
## Product Features

1. Supports control of 2 hosts with a single set of keyboard, mouse, and one monitor.
2. Compatible with Unix/Windows/Debian/Ubuntu/Fedora/MacOSX/Raspbian /Ubuntu for Raspberry Pi and other Linux-based operating systems.
3. Supports up to 4K 3840x2160@60Hz resolutions.
4. The hot-pluggable design allows devices connected to the KVM to be added or removed without the need to shut down the hosts.
5. Provides two control methods: desktop controller and panel buttons.
6. Seamless keyboard and mouse switching between hosts without any delay or driver reinstallation.
7. Supports additional standard USB3.0 interfaces, allowing connection of devices such as barcode scanners, USB drives, portable hard drives, and other USB2.0/USB3.0 devices. These devices can be seamlessly switched along with the ports.

## Technical Specifications

Parameter Name		Detailed Explanation
Video	HDMI2.0 protocol	Maximum bandwidth: 18G, Maximum resolution: 3840*2160@60Hz
	Interface Type	HDMI-A interface
	Maximum length of HDMI cable	It is recommended to keep the input and output cables under 3 meters
Switching Mode	Button + Desktop controller	
USB	USB3.0, also adapts to USB2.0 and USB1.1, etc.	
	Maximum length of USB cable	It is recommended to keep the input and output cables under 2 meters
Other	Power Supply	USB 5V 2A

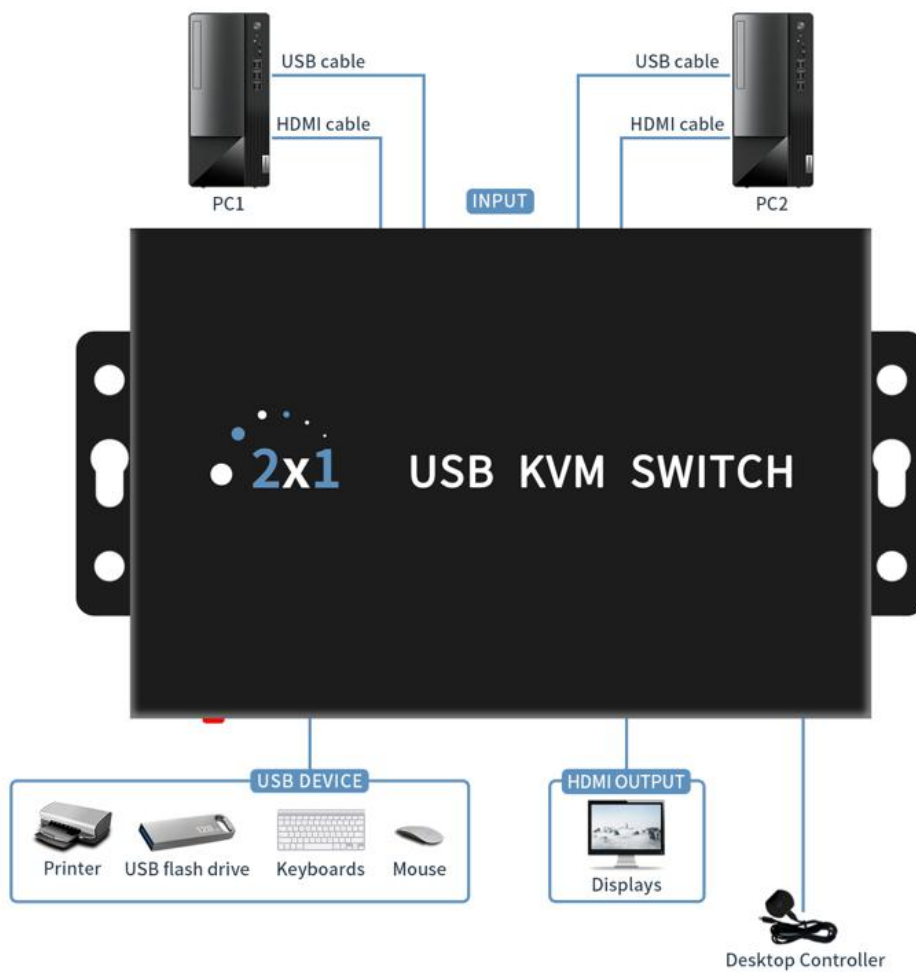
## Product Diagram



## Connection Steps

1. Before using the KVM switch, ensure that the resolution and refresh rate of your host computers are compatible with the switch and your display. Otherwise, you may encounter display issues.
2. Connect the two computers to the PC1 and PC2 ports of the switch using the respective HDMI and USB cables. Make sure to connect both the HDMI and USB cables; otherwise, video and keyboard/mouse sharing may not work.
3. Connect keyboard, mouse and U disk and other peripherals into the K/M and USB ports, the four USB output ports have the same function.
4. Connect the OUTPUT port to the HDMI display and the SW port to the external desktop controller.
5. Connect the 5V USB power cable. PS: when connecting a 1TB or larger hard drive or other peripherals, the power supply must be connected to the switch, otherwise, it may not work properly.

6. Once the connections are completed, the devices should function normally.



Note: Each group of hosts of the HDMI cable input need to be connected, otherwise it can not realize the screen display function

Each group of hosts need to be connected to the USB cable, otherwise you can not share the keyboard and mouse and other USB devices

### Package Contents

1 x KVM switch

1 x Desktop controller

2 x USB cables

1 x USB power cable

1 x user manual